

PRE FABRICATED CORNERS

for Craftsman™ Shingle Panels

1. Product Description.

Shakertown® manufactures Craftsman corner units to match its siding panels to create a clean, custom-fitted finish. These corner units are easy to apply and provide a professional, crafted look. You will save time and money by specifying Shakertown's corner units and ordering them when you buy your Shakertown siding panels.

These precision-made corners are fabricated from the permanently bonded cedar materials used in Shakertown's Craftsman siding panels. They are miter cut and glued with waterproof adhesives and secured with stainless steel fasteners.

This corner unit is applied on sidewalls when using the Craftsman shingle panels. The corner framing must allow for the end nailing of the siding panels as well as the corner pieces. **Use of the corner saves 6" per course, which should be deducted from the siding estimate.**

Caution: Do not apply as a lap corner.

2. Packaging.

Corner Unit	Exposure	Units Per Carton	Coverage Per Carton
1-course	4-1/2"	16	6'0"
1-course	7"	16	9'3"

3. Fasteners.

Shakertown recommends using a corrosion resistant (hot dipped galvanized or stainless steel) 1 3/4" roofing nail or 7d box nail. Nails should always be of sufficient length to penetrate the studs a minimum 3/4". Special applications or high wind loads may require optional fasteners. Power nailing is permitted, but care should be taken to set the head flush with the panel. Sinking the heads into the siding panels can affect the long-term performance of the siding.

4. Application.

Applying the First Corner:

Install the corner for the first siding panel by setting it on the starter strip. Use a corner piece that is "flush long right" (see Diagram 1).

Nail the corner unit with two nails on each side 1" down from the top edge and 5/8" in from the edges (see Diagram 2). Nail on or below the nailing line which is 7/8" from the top edge of the 7" exposure panels and 3/4" from the top edge of the 4-1/2" exposure panels.

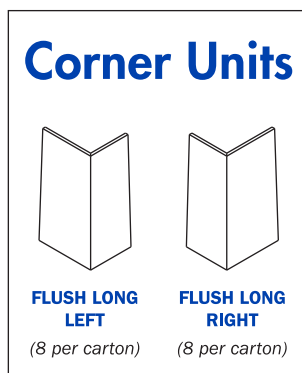


Diagram 1

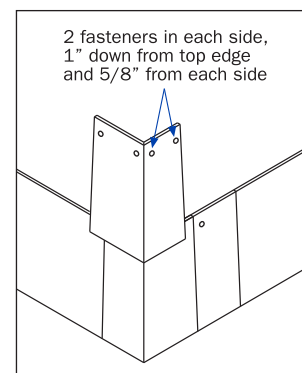


Diagram 2

Flush corners in two widths are applied alternately to stagger joints and eliminate a vertical corner effect.

Align the corner with each siding panel, leaving 1/16" gap between the corner and panel.

Applying Subsequent Corners:

Install subsequent corners as each row of panels is installed. Use a "flush long left" corner unit (see Diagram 1). Alternate "flush long right" and "flush long left" up the corner to create a seamless appearance.

Fit the corner over the tip of the previous corner so the self-aligning edge of plywood backing of the bottom shingle is butted against the top edge.

Then nail the corner unit with two nails on each side 1" down from the top edge and 5/8" in from the edges (see Diagram 2).

If you have any questions regarding this or any other topic, please call Shakertown toll free: 1-800-426-8970.

SHAKERTOWN 1992, Inc.

P.O. Box 400, 1200 Kerron Street, Winlock, WA 98596

www.shakertown.com

